





PROJECT NAME

ARCHITECT

Architect \_\_\_\_\_

ENGINEER

Struct. Eng. \_\_\_\_\_

Civil Eng. \_\_\_\_\_

Elec. Eng. \_\_\_\_\_

Mech. Eng. \_\_\_\_\_

San. Eng. \_\_\_\_\_

REVISION

NO	BY	DESCRIPTION	DATE

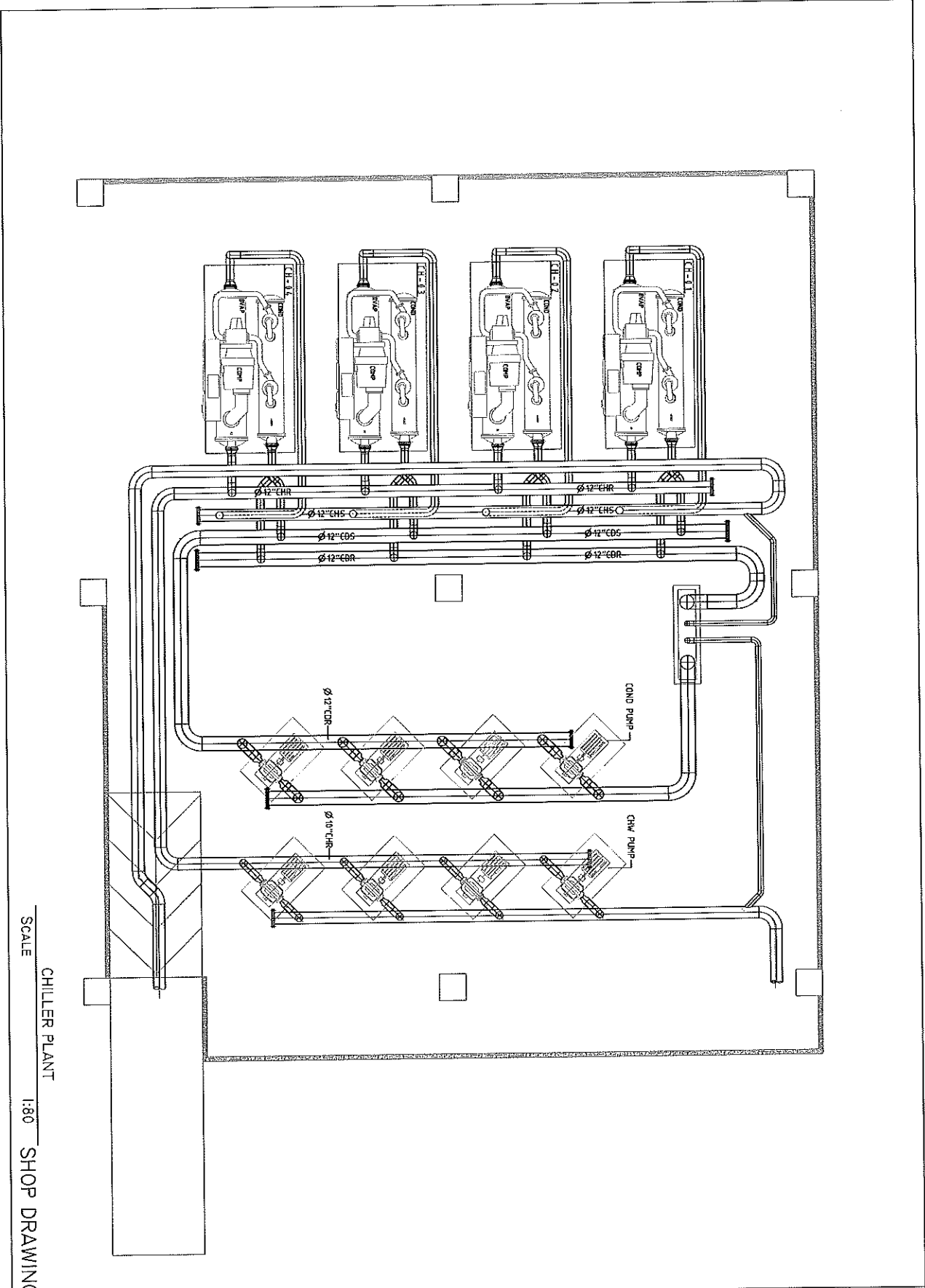
TITLE

SHOP DRAWING

DATE 20/04/2018

DWG. No.

# SHOP DRAWING MECHANICAL SYSTEM



CHILLER PLANT  
 SCALE 1:80 SHOP DRAWING



PROJECT NAME

ARCHITECT

Architect

ENGINEER

Struct. Eng.

Civil Eng.

Elec. Eng.

Mech. Eng.

San. Eng.

REVISION

NO.	BY	DESCRIPTION	DATE

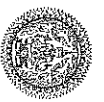
SHOP DRAWING

TITLE

CHILLER PLANT

DWG. No.

ME-01



PROJECT NAME

ARCHITECT  
Architect

ENGINEER  
Spec. Eng.

Civil Eng.

Elec. Eng.

Mech. Eng.

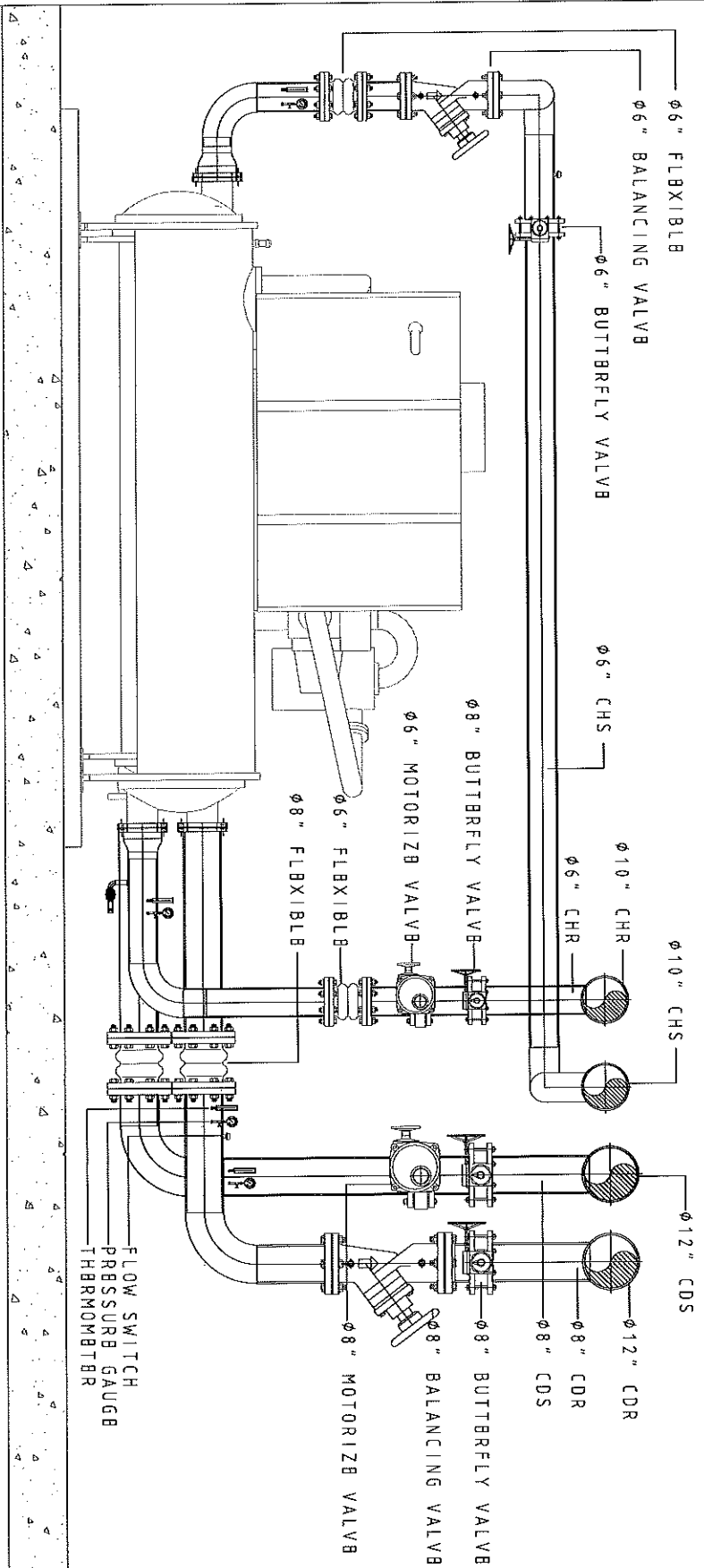
Sen. Eng.

REVISION

NO	BY	DESCRIPTION	DATE

SHOP DRAWING

TITLE  
TYPICAL DETAIL OF CHILLER  
(SIDE VIEW)



TYPICAL DETAIL OF CHILLER  
(SIDE VIEW)

SCALE 1:25 SHOP DRAWING

ME-02

DATE 20/04/2018  
DWG. No.



PROJECT NAME

ARCHITECT  
Architect

ENGINEER

Struct. Eng.

Civil Eng.

Elec. Eng.

Mech. Eng.

San. Eng.

REVISION

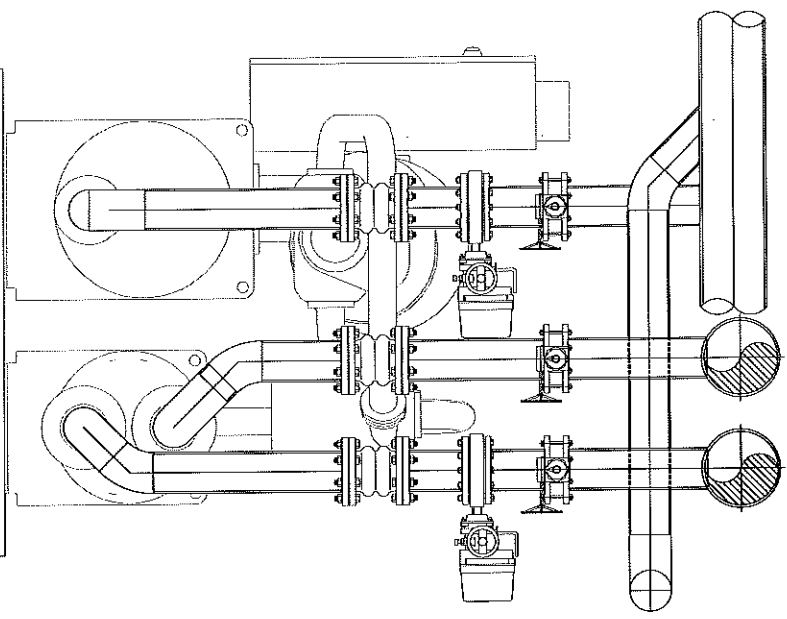
NO	BY	DESCRIPTION	DATE

TITLE  
SHOP DRAWING

TYPICAL DETAIL OF CHILLER  
(FRONT VIEW)

DATE 08/04/2018  
DWG No.

ME-03



TYPICAL DETAIL OF CHILLER  
(FRONT VIEW)

SCALE 1:20 SHOP DRAWING



PROJECT NAME

ARCHITECT  
Architect

ENGINEER

Spec. Eng.

Civil Eng.

Elec. Eng.

Mech. Eng.

San. Eng.

REVISION

NO	BY	DESCRIPTION	DATE

SHOP DRAWING

TITLE  
TYPICAL DETAIL OF COND PUMP

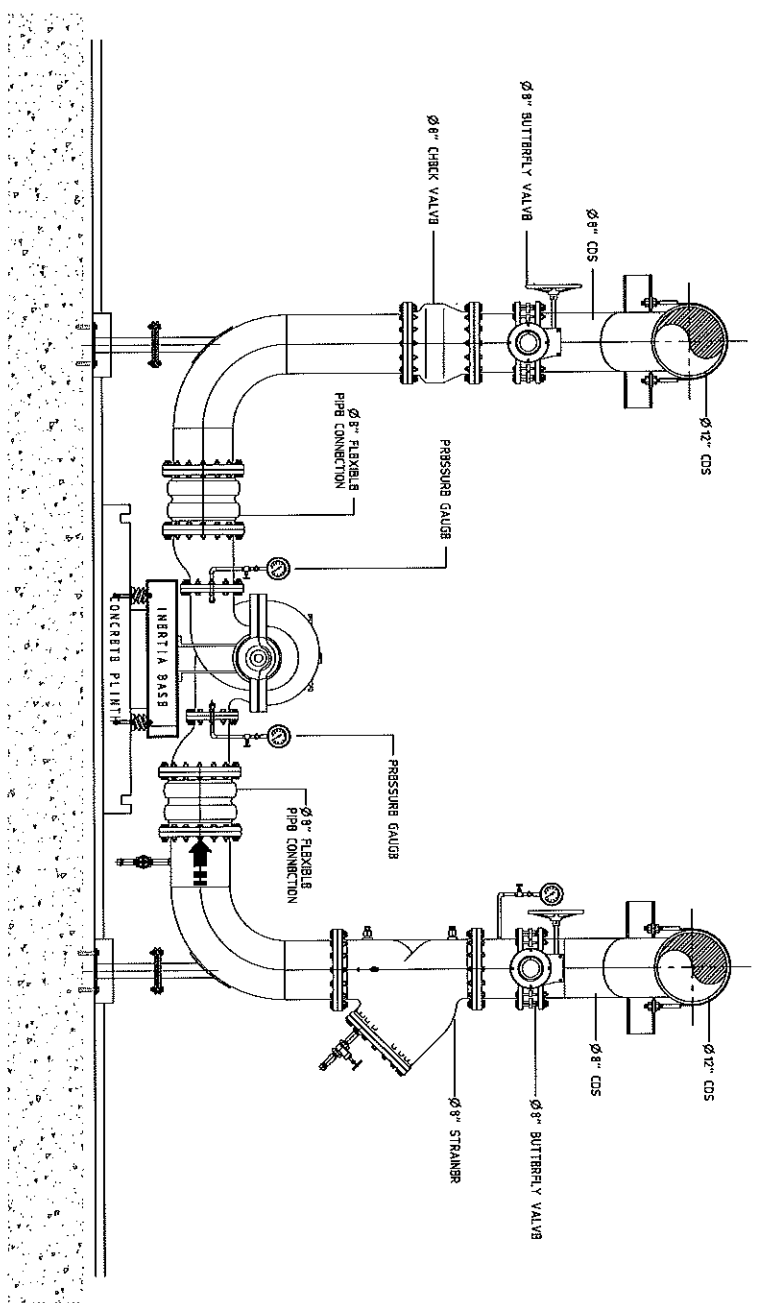
DRAWN BY: BENDON TREESINSUB

APPROVED BY: PRAISON NUTUB

DATE: 20/04/2018

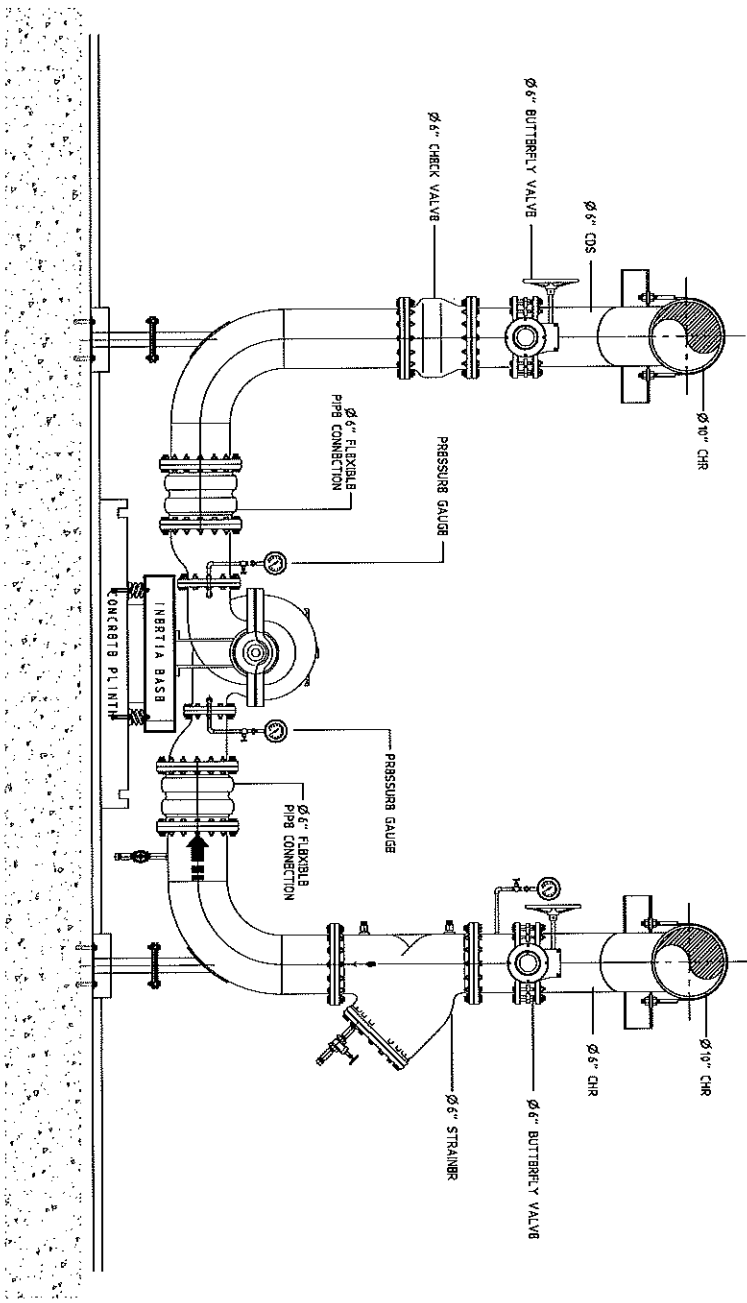
DWG. No.

ME-04



TYPICAL DETAIL OF COND PUMP  
SCALE 1:20

SHOP DRAWING



TYPICAL DETAIL OF CHW PUMP  
SCALE 1:20

SHOP DRAWING

PROJECT NAME	
ARCHITECT	
ENGINEER	
Struct. Eng.	
Civil Eng.	
Elec. Eng.	
Mech. Eng.	
San. Eng.	
REVISION	
NO	BY DESCRIPTION DATE
TITLE	
TYPICAL DETAIL OF CHW PUMP	
DATE	20/04/2018
DWG. No.	ME-05

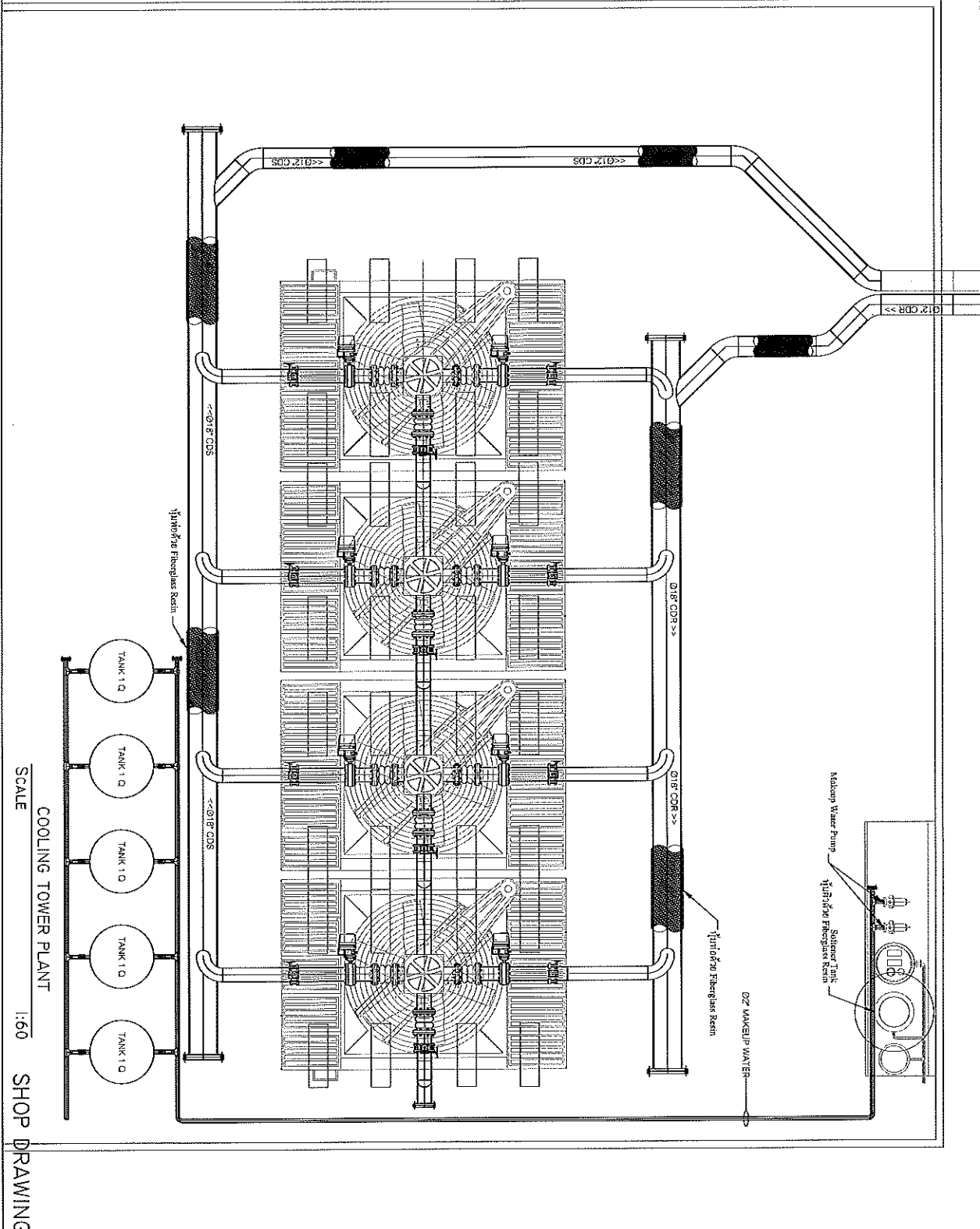




PROJECT NAME

ARCHITECT	
ENGINEER	
MECH. ENG.	
ELEC. ENG.	
CIVIL ENG.	
REVISION	
NO. BY DESCRIPTION DATE	
TITLE	
SHOP DRAWING	
COOLING TOWER PLANT	
DATE	20/04/2018
DWG. No.	
ME-06	

SCALE 1:60 SHOP DRAWING









PROJECT NAME

ARCHITECT

ENGINEER

Struct. Eng.

Civil Eng.

Dec. Eng.

Mech. Eng.

Son. Eng.

REVISION

NO.	BY	DESCRIPTION	DATE

TITLE

SHOP DRAWING  
TYPICAL DETAIL OF  
COOLING TOWER

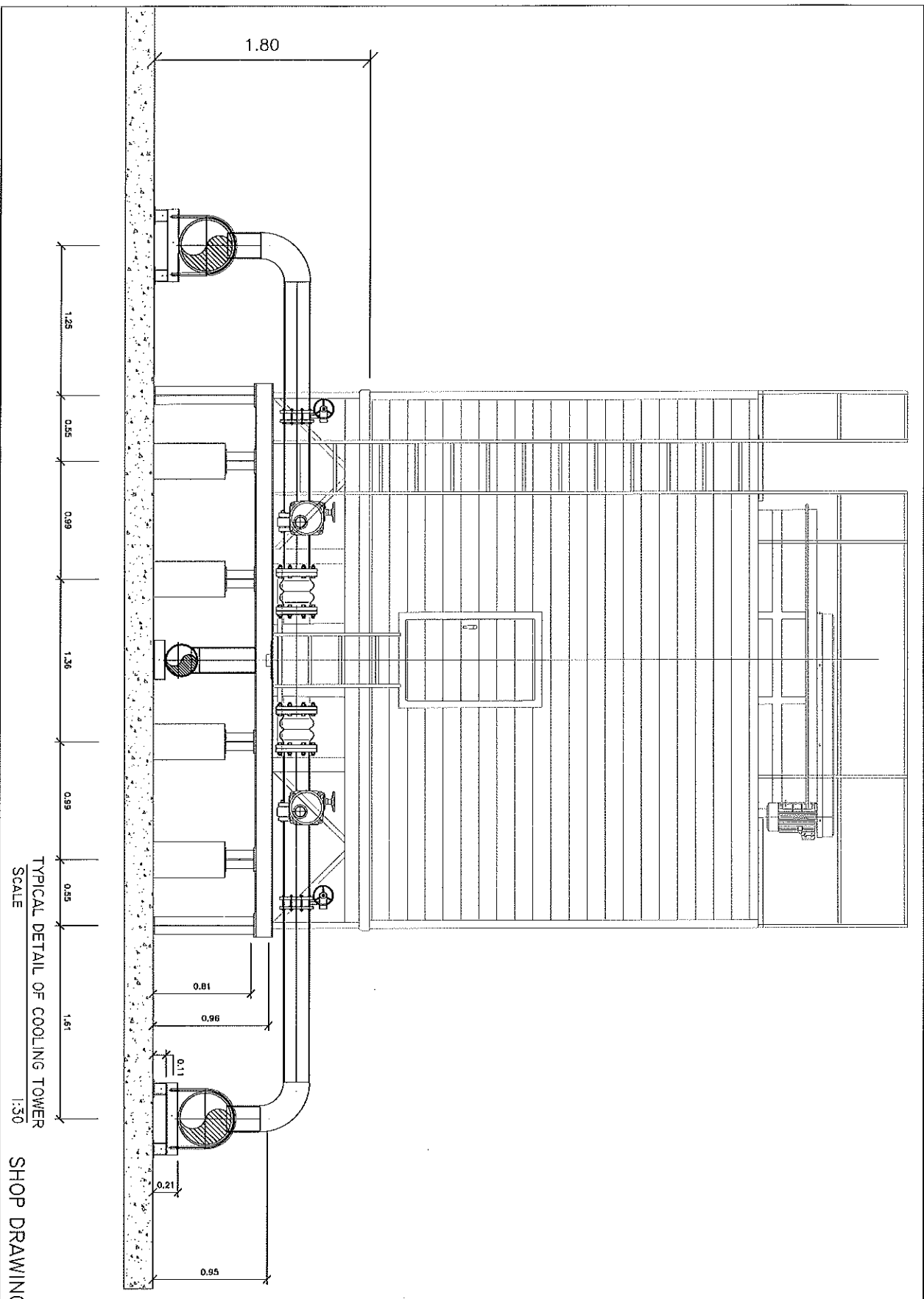
DATE 20/04/2018

DWG. No.

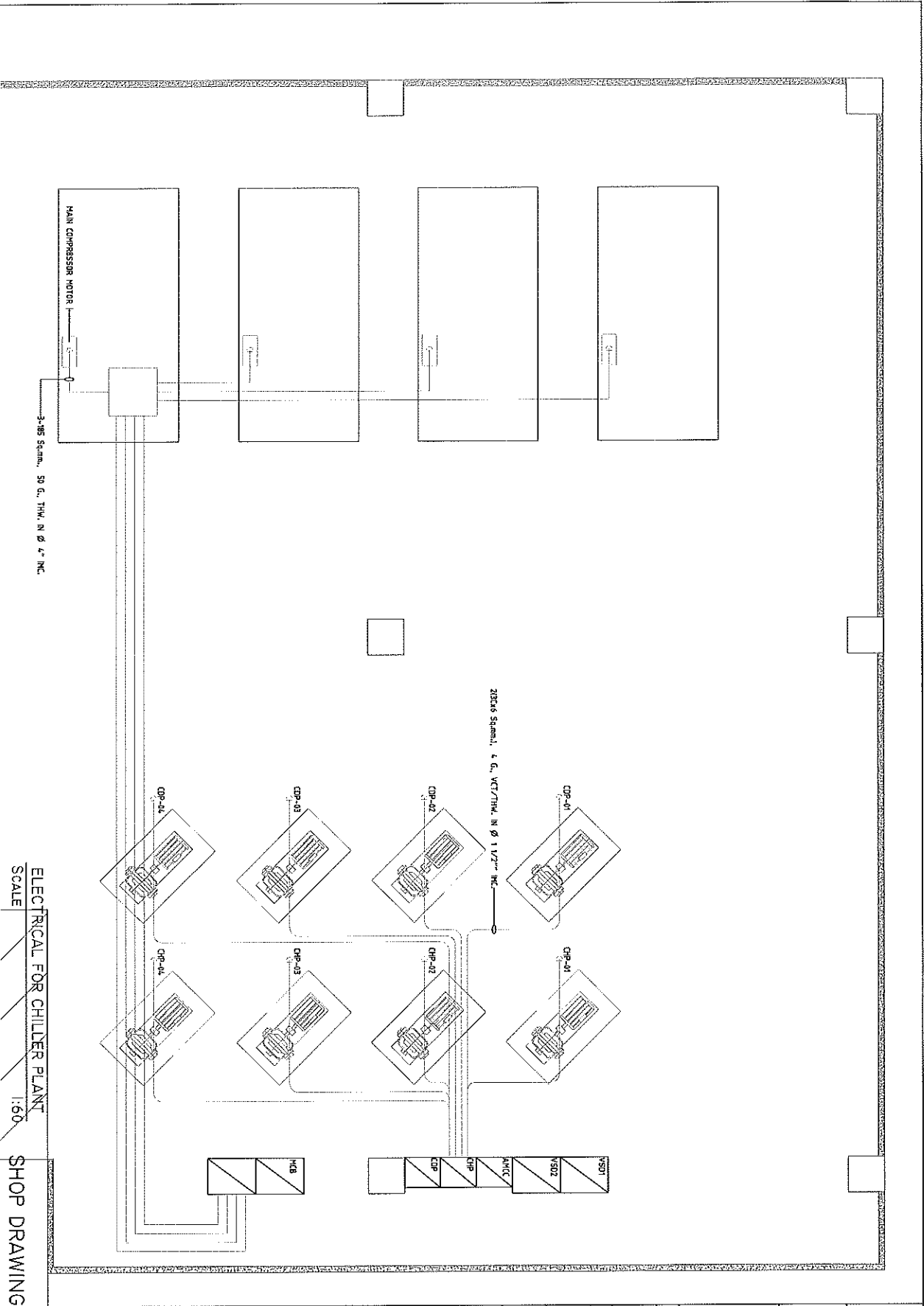
ME-08

TYPICAL DETAIL OF COOLING TOWER  
SCALE 1:30

SHOP DRAWING







ELECTRICAL FOR CHILLER PLANT  
SCALE 1:60

SHOP DRAWING

PROJECT NAME	
ARCHITECT	
ARCHITECT	
ENGINEER	
Stack Eng	
Civil Eng	
Elec Eng	
Mech Eng	
San. Eng	
REVISION	
NO	BY DESCRIPTION DATE
TITLE	
SHOP DRAWING	
ELECTRICAL FOR CHILLER PLANT	
DATE	20/04/2018
DWG. No.	EE-01





PROJECT NAME

VSD-MCC-1  
W1500XH2100XD600

ARCHITECT

ENGINEER

Struct. Eng.

Civil Eng.

Elect. Eng.

Mech. Eng.

San. Eng.

REVISION		
NO	BY	DESCRIPTION

TITLE

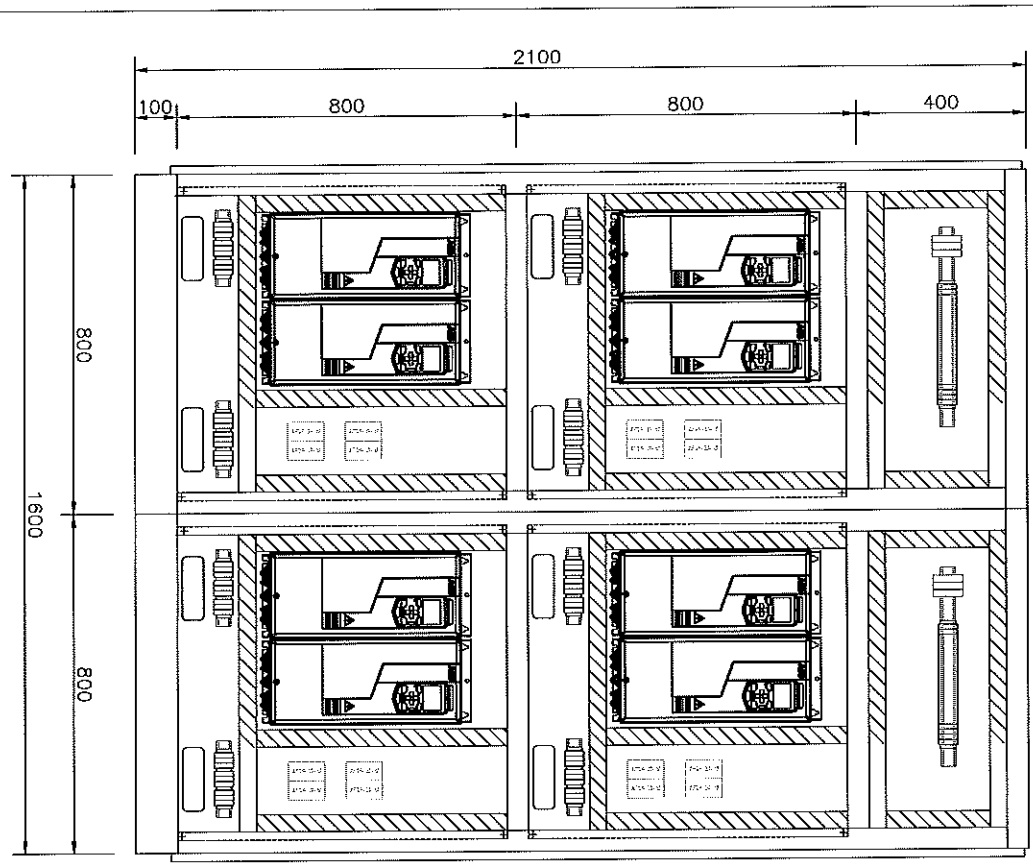
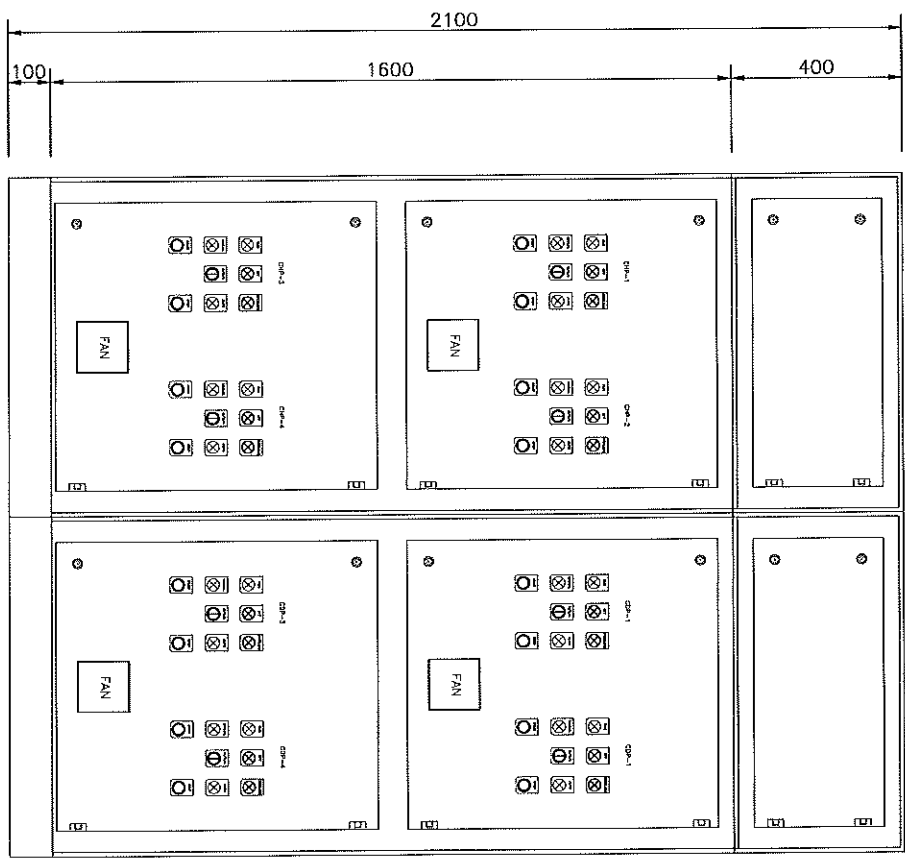
DETAIL OF VSD-MCC-1 PANEL

DATE 20/04/2018

DWG. No.

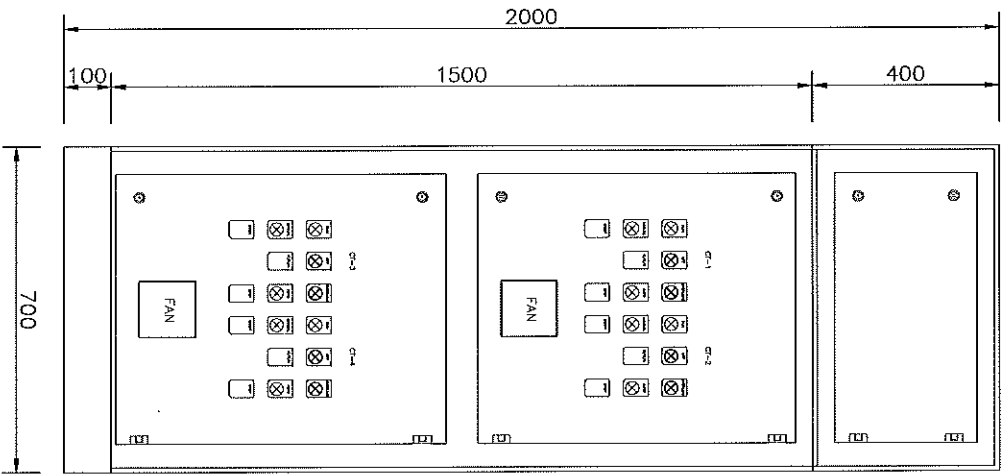
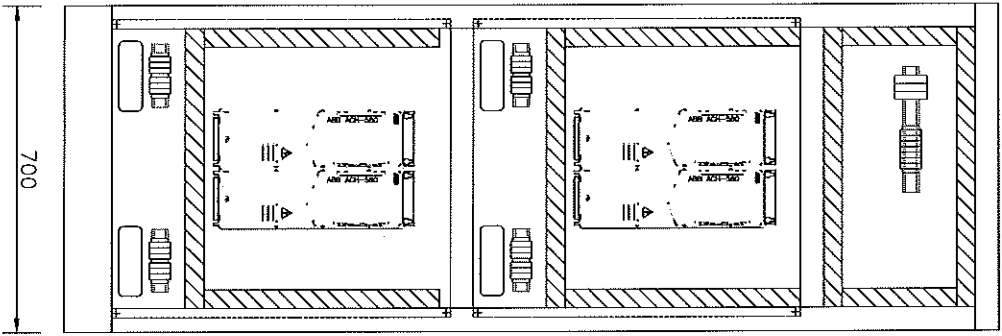
EE-02

DETAIL OF VSD-MCC-1 PANEL  
SCALE NTS. SHOP DRAWING





VSD-MCC-1  
W700xH2000xD600



DETAIL OF VSD-MCC-2 PANEL  
SCALE NTS. SHOP DRAWING

PROJECT NAME

ARCHITECT

Architect

ENGINEER

Struct. Eng.

Civil Eng.

Elec. Eng.

Mech. Eng.

San. Eng.

REVISION

NO.	BY	DESCRIPTION	DATE

SHOP DRAWING

TITLE

DETAIL OF VSD-MCC-2 PANEL

DATE 20/04/2008

DWG. No.

EE-03